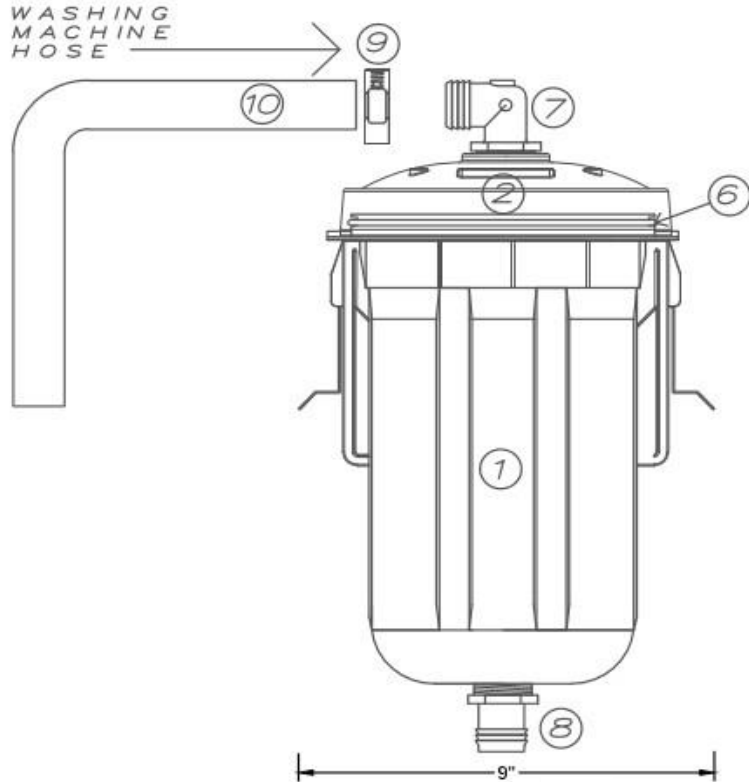


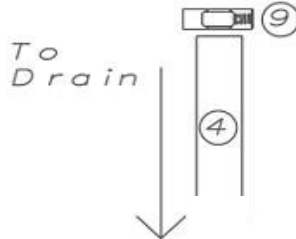
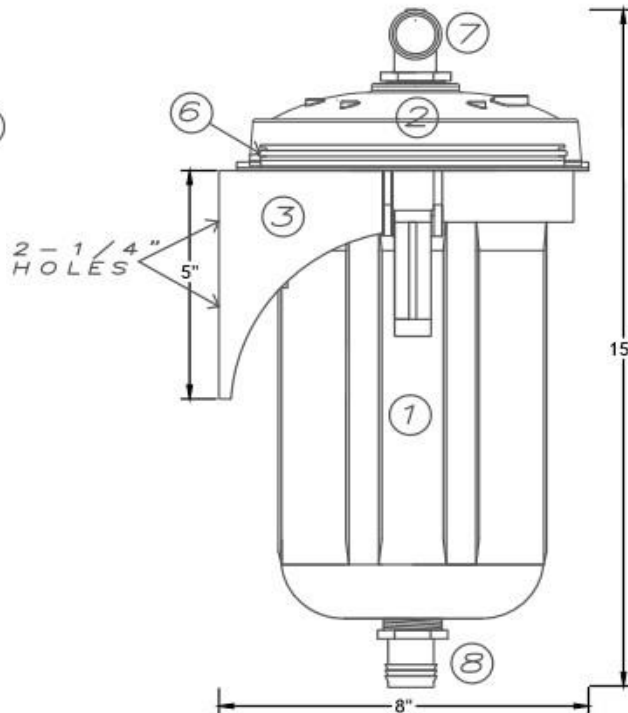


FILTROL

FRONT VIEW



SIDE VIEW



SPECS
MEETS OR EXCEEDS IPC 1003.6
REMOVES SOLIDS DOWN TO $\frac{2}{32}$ INCH OR 100 MICRON
FEATURES INTERNAL FILTER BYPASS WHEN PLUGGED
FLOW RATES UP TO 25 GPM - ACCEPTABLE USE FOR ALL RESIDENTIAL WASHING MACHINES

FILTROL COMPONENTS		
NUMBER	DESCRIPTION	QTY
1	FILTROL CANISTER	1
2	CANISTER LID	1
3	MOUNTING BRACKET WITH 2 CLIPS	1
4	1" RUBBER HOSE/ 5 FEET LENGTH	1
5	FILTER BAG	1
6	O-RING (ASSEMBLED ON CANISTER)	1
7	ELBOW INLET BARBED FITTING - SIZE 1" THREADED X $\frac{3}{4}$ " BARBED	1
7	ELBOW INLET BARBED FITTING- SIZE 1" THREADED X 1" BARBED	1
8	STRAIGHT OUTLET BARB FITTING - SIZE $\frac{3}{4}$ " THREADED X 1" BARBED	1
9	HOSE CLAMPS	2
10	SMALL TUBE OF LUBRICANT	1

PRE - INSTALLATION NOTES:

1. IDENTIFY WASHING MACHINE DISCHARGE HOSE DIAMETER. THE FILTROL COMES STANDARD WITH A $\frac{3}{4}$ " AND 1" BARBED FITTING. 1 $\frac{1}{4}$ " FITTINGS ARE ALSO AVAILABLE AT AN ADDITIONAL CHARGE.
2. VERIFY THE MOUNTING AREA IS LARGE ENOUGH TO MOUNT THE FILTER TO ALLOW EASE OF MAINTENANCE.
3. THE FILTROL SHOULD NOT BE INSTALLED HIGHER THAN 72" FROM FLOOR LEVEL.
4. THE DISCHARGE HOSE FROM THE FILTROL SHOULD DRAIN STRAIGHT DOWN IF POSSIBLE AND SHOULD NOT EXCEED A 45 DEGREE ANGLE.
5. THE FILTROL MOUNTING BRACKET SHOULD BE SECURED TO A STUD, CONCRETE WALL, OR OTHER STURDY METHOD.

MAINTENANCE NOTES:

1. THE FILTROL GENERALLY REQUIRES CLEANING EVERY 8-10 LOADS. REMOVE THE FILTER BAG FROM THE UNIT, INSIDE OUT OVER A TRASH CAN, REMOVE THE LINT, AND PLACE BACK INTO THE FILTER CANISTER.
2. DO NOT USE LIQUID FABRIC SOFTNER WITH THE FILTROL UNIT.
3. IN CASE OF PLUGGING, THE FILTER BAG FEATURES BYPASS HOLES SO EFFLUENT DOES NOT BACK UP AND DAMAGE THE WASHING MACHINE.

PAGE TITLE
FILTROL SPEC SHEET

DRAWN BY: BRK
REV:3

DATE: 2/21/2018

FILTROL.NET

6074 KEYSTONE RD MILACA MN 56353
(320)983.2447 FAX (320) 983.2151